

## Quick Start Guide

### General Information

- All guidance in the following document should follow the recommendations of BS 5839-6 and BS EN 50292:2023
- Espire Alarm accessories have been designed and developed for fixed residential installation and use.
- The Sounder Strobe is required to be permanently wired to a 230V mains electrical supply by a qualified electrician in accordance with the local wiring regulations.
- Before commencing electrical work, ensure the supply of the system has been safely isolated with all appropriate steps taken, if you are unsure please consult a competent electrician.
- After installation the Sounder Strobe is to be tested weekly.

---

### Product Description

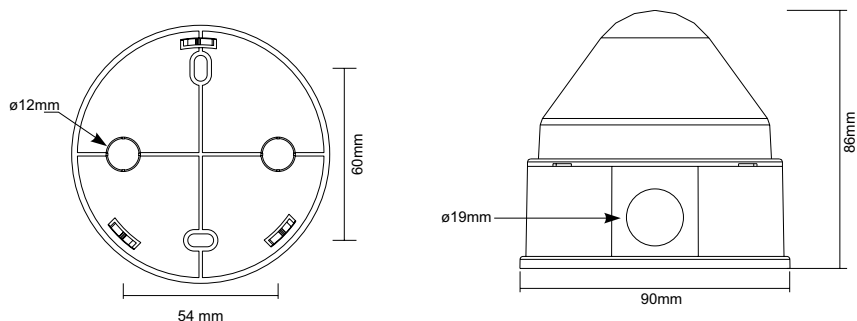
#### ES1ST Sounder Strobe Powered by Mains

Mains powered selectable sounder strobe

4 selectable sounder patterns

Selectable Strobe

Ingress Protection IP65



# Wiring Connections and Configuration

1. Isolate the mains before commencing any electrical works.
2. Connect the incoming mains supply to the looped terminal block on the PCB; L: Line (Brown), N: Neutral (Blue), ⊕ : Earth (Yellow/Green). The Earth terminal has been provided for safe termination for any incoming earth wire. *The ES1ST is recommended to use a switched supply.*
3. Once powered the Sounder Strobe will trigger according to the below table

	Dip Switch Setting			Frequency Range	Decibel (dB)
	1	2	3		
<b>A</b>	ON	ON	ON	552Hz to 615Hz	70
<b>B</b>	ON	OFF	ON	562Hz to 1.3Khz	68
<b>C</b>	OFF	ON	ON	714Hz to 1.1Khz	71.1
<b>D</b>	OFF	OFF	ON	4.3KHz to 4.6KHz	83.5

1. Power off the device before changing sounder mode
2. Configure the Dip Switches to meet the desired sounder mode
3. Turn the device back on

*Note: Mode D is the default mode*

*Turning off Dip Switch 3, will turn off the sounder.*

For additional product and installation instructions scan the applicable QR code



UK



ROI



When disposing of this product, it must be recycled in accordance to the Waste Electrical & Electronic Equipment (WEEE) regulations.

